

PM

# AASBD 6 Racer Double Elimination Heat Chart - Enhanced

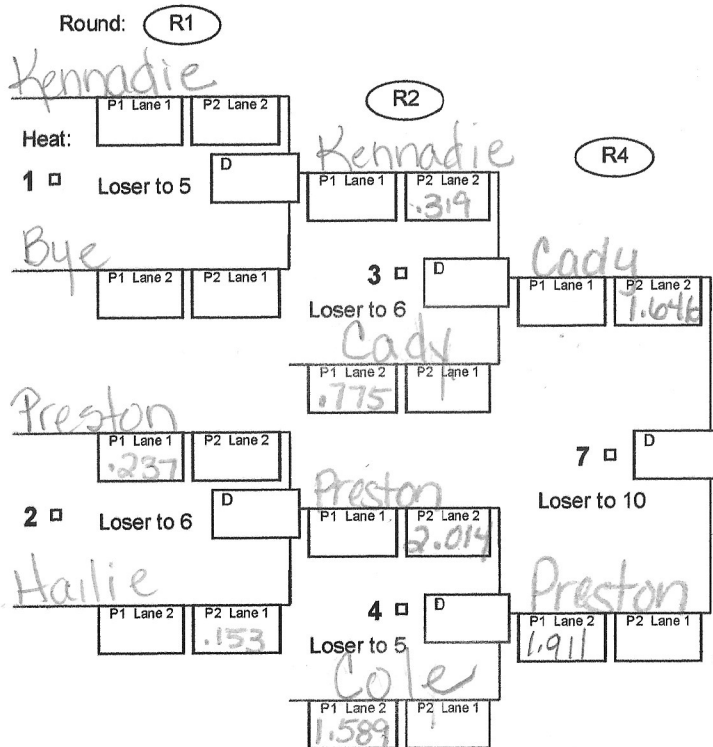
Division: Stock Date: 11-6-22 PM

Race City: Henderson, NV

1st Bracket

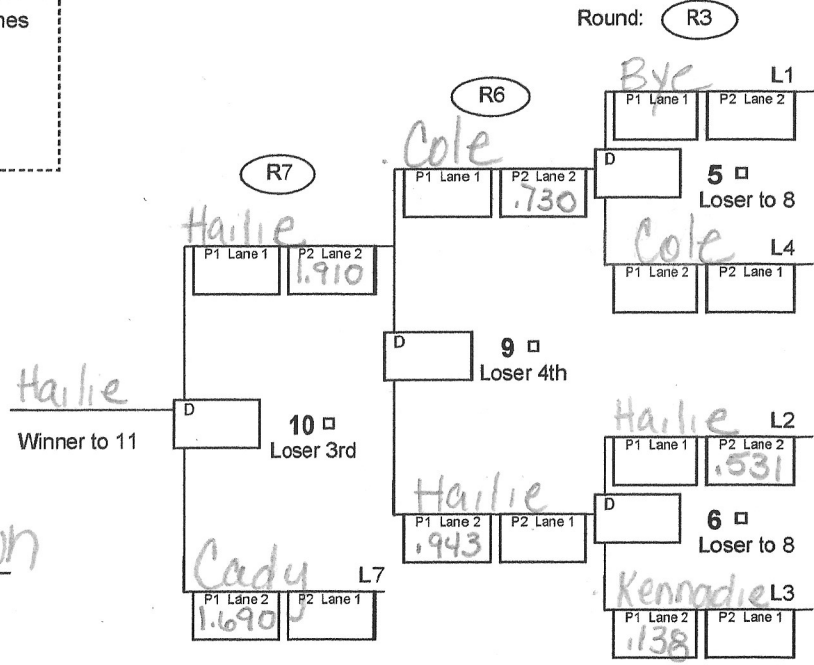
Heat chart for 2 through 6 racers.  
Double elimination, wheel and lane swap.

Challenger Bracket

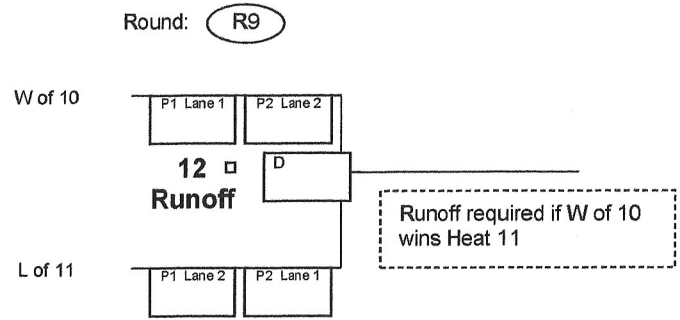


D = Differential between P1 and P2 times  
L = Loser  
P1 = Phase 1 time  
P2 = Phase 2 time  
R1 = Round 1, round 2, etc.  
W = Winner

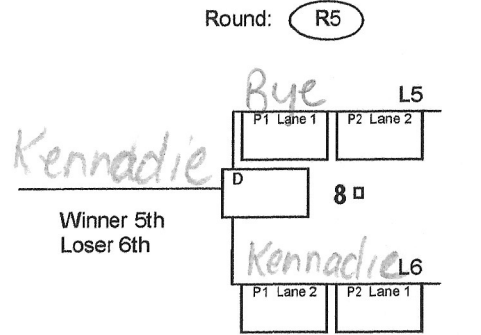
Note:  
Winner of Heat 7 takes warm up run behind Phase 1 and Phase 2 of Heat 10



- Places**
- 1st (W11 or 12) Preston
  - 2nd (L11 or 12) Haillie
  - 3rd (L10) Cady
  - 4th (L9) Cole
  - 5th (W8) Kennadie
  - 6th (L8) \_\_\_\_\_



Runoff required if W of 10 wins Heat 11



Place byes in Heat 1, 2, 3, 4

Racer(s) in Bye heat shall make two runs down track